

NEW PRODUCT PREVIEW
**PS SERIES
PNEUMATIC ACTUATORS**

FOR BALL VALVES UP TO 6"
BUTTERFLY VALVES UP TO 4"

KEY FEATURES

- Scotch Yoke Quarter-Turn Design - Less Friction than Rack & Pinion
- Ideal for Corrosive Atmosphere and Environments
- Stainless Steel Drive Shaft/Indicator Shaft and Stainless Steel Hardware Standard
- Available in Double Acting and Spring Return Models
- Adjustable Rotation Angle
- Linear Motion - No Teeth or Gears
- Permanent Lubrication
- Lower Air Consumption than Rack & Pinion
- Smaller Size Compared to Equivalent Rack & Pinion Torque Rating
- Position Indicator
- Namur-Style Top-Works Mounting
- Namur-Style Solenoid Mounting
- ISO 5211 Mounting Base

OPTIONS

- Fail Open for Spring Return
- Solenoid Valves with Optional Voltages

SPECIFICATIONS

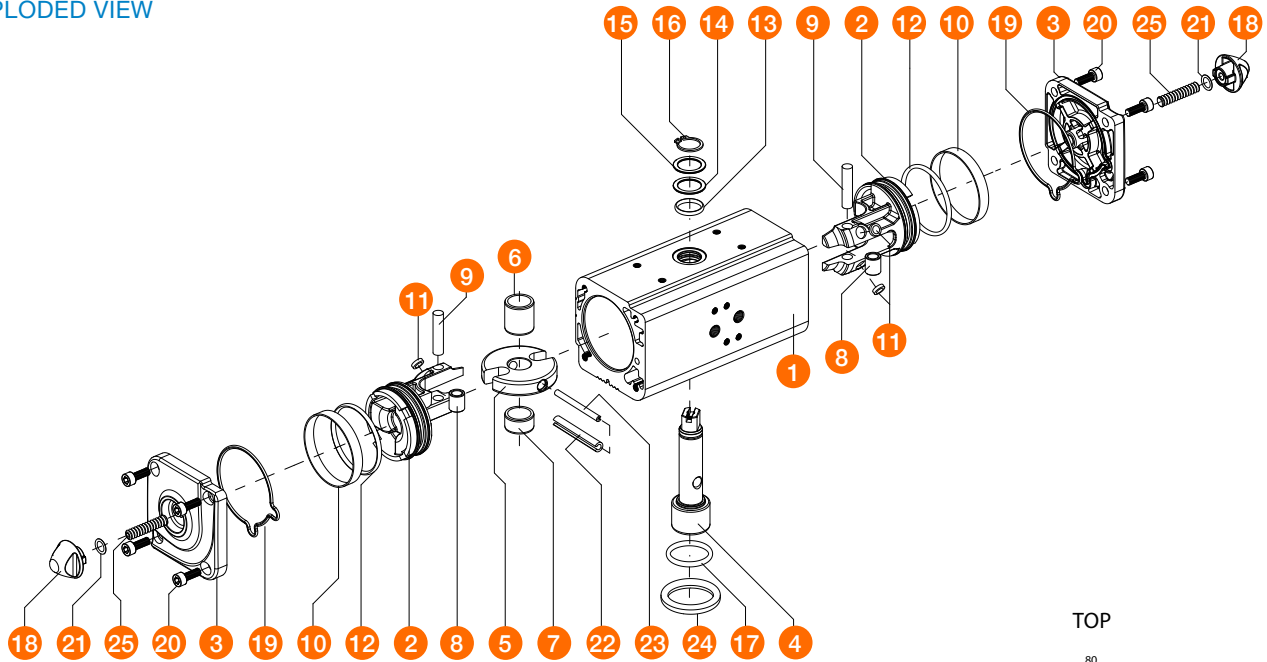
- HOUSING: Robust Aluminum Body with Three-layer Epoxy/Urethane Coating for Superior Corrosion and Abrasion Resistance
- OUTPUT SHAFT: 303 Stainless per ASTM A314
- SEALS: NBR and FPM
- MINIMUM AIR PRESSURE: 80psi
- MAXIMUM AIR PRESSURE: 120psi
- OPERATION: Scotch Yoke
- AIR PORT CONNECTIONS: 1/8" NPT



PSD Series Double Acting Pneumatic Actuators

FOR BALL VALVES UP TO 6"
BUTTERFLY VALVES UP TO 4"

EXPLODED VIEW

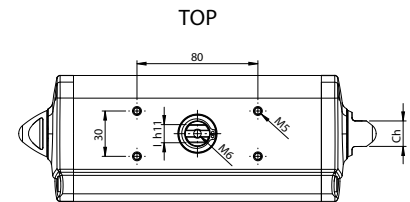


PARTS LIST

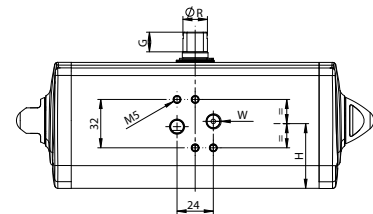
1. Cylinder, Aluminium Alloy
2. Piston, Aluminium Alloy
3. Cap., Aluminium Alloy
4. Shaft, Stainless Steel
5. Scotch Yoke, Steel Alloy
6. Support Bushing, Acetalic Resin
7. Support Shaft, Acetalic Resin
8. Bushing, Steel Alloy
9. Rotative Sleeve, Steel Alloy
10. Dynamic Seal, Polyurethan
11. Piston Support, PTFE
12. O-Ring, NBR
13. Upper Shaft Seal O-Ring, FKM
14. External Support Ring, Acetalic Resin
15. Washer, Stainless Steel
16. Retainer Clip, Stainless Steel
17. Lower Shaft Seal O-Ring, FKM
18. Nut, Aluminium Alloy
19. End-cap O-Ring, NBR
20. Bolts, Stainless Steel
21. O-Ring, NBR
22. External Yoke Pin, Steel Alloy
23. Internal Yoke Pin, Steel Alloy
24. Centering Ring, Aluminium Alloy
25. Stroke Adjustment Screw, Stainless Steel

DIMENSIONS

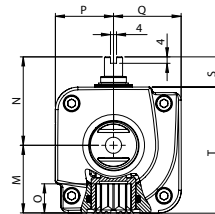
ISO	PSD015	PSD030	PSD045
	in / mm	in / mm	in / mm
F03/F05	F03/F05	F03/F05	F03/F05
A	6.26 / 159.1	6.86 / 174.3	7.42 / 188.5
B	0.43 / 11.0	0.43 / 11.0	0.43 / 11.0
C x depth	M5 X 8	M5 X 8	M5 X 8
D x depth	-	M6 X 9	M6 X 9
E	1.42 / 36.0	1.42 / 36.0	1.42 / 36.0
F	-	1.97 / 50.0	1.97 / 50.0
G	0.39 / 10.0	0.39 / 10.0	0.51 / 13.0
H	1.06 / 26.8	1.19 / 30.3	1.28 / 32.5
I	0.31 / 8.0	0.35 / 9.0	0.39 / 10.0
M	1.10 / 28.0	1.24 / 31.5	1.36 / 34.5
N	1.74 / 44.2	1.88 / 47.7	1.97 / 50.0
O	0.52 / 13.2	0.52 / 13.2	0.52 / 13.2
P	0.95 / 24.2	1.09 / 27.7	1.18 / 30.0
Q	1.10 / 28.0	1.24 / 31.5	1.36 / 34.5
R	0.36 / 9.2	0.43 / 10.9	0.50 / 12.7
S	0.79 / 20.0	0.79 / 20.0	0.79 / 20.0
T	2.06 / 52.2	2.33 / 59.2	2.54 / 64.5
Weight (lbs/kgs)	1.65 / 0.75	2.20 / 1.00	2.65 / 1.20



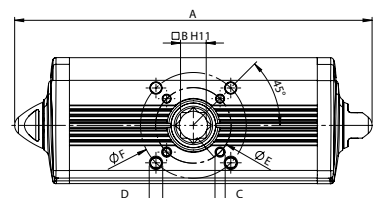
FRONT



SIDE



BOTTOM



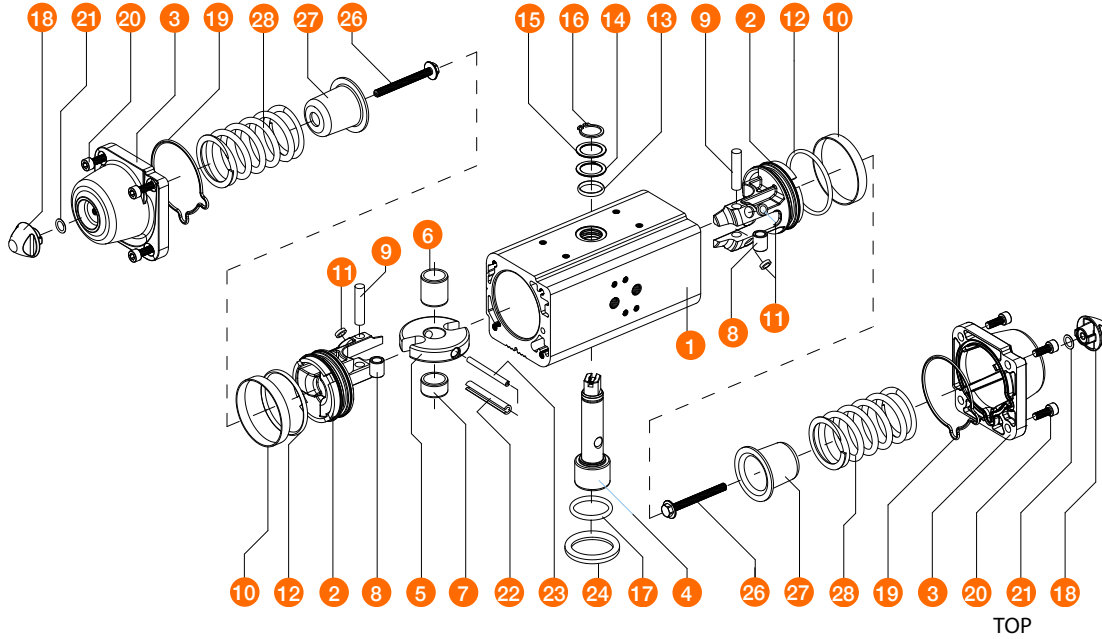
Hayward is a registered trademark
of Hayward Industries, Inc.
© 2022 Hayward Industries, Inc.

USA: 1.888.429.4635 • Fax: 1.888.778.8410 • One Hayward Industrial Drive • Clemmons, NC 27012 • Email: hfcsales@hayward.com
Canada: 1.888.238.7665 • Fax: 1.905.829.3636 • 2880 Plymouth Drive • Oakville, ON L6H 5R4 • Email: hflowcanada@hayward.com
Visit us at: haywardflowcontrol.com

PSS Series Fail-Safe Spring Return Pneumatic Actuators

FOR BALL VALVES UP TO 6"
BUTTERFLY VALVES UP TO 4"

EXPLODED VIEW

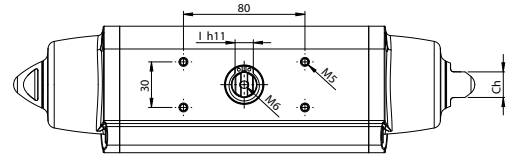


PARTS LIST

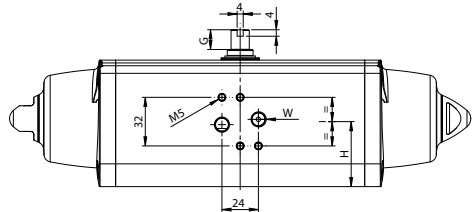
1. Cylinder, Aluminium Alloy
2. Piston, Aluminium Alloy
3. Cap., Aluminium Alloy
4. Shaft, Stainless Steel
5. Scotch Yoke, Steel Alloy
6. Support Bushing, Acetalic Resin
7. Support Shaft, Acetalic Resin
8. Bushing, Steel Alloy
9. Rotative Sleeve, Steel Alloy
10. Dynamic Seal, Polyurethan
11. Piston Support, PTFE
12. O-Ring, NBR
13. Upper Shaft Seal O-Ring, FKM
14. External Support Ring, Acetalic Resin
15. Washer, Stainless Steel
16. Retainer Clip, Stainless Steel
17. Lower Shaft Seal O-Ring, FKM
18. Nut, Aluminium Alloy
19. End-cap O-Ring, NBR
20. Bolts, Stainless Steel
21. O-Ring, NBR
22. External Yoke Pin, Steel Alloy
23. Internal Yoke Pin, Steel Alloy
24. Centering Ring, Aluminium Alloy
25. Stroke Adjustment Screw, Stainless Steel
26. Spring Loading Screw, Steel Alloy
27. Spring Cap, Steel Alloy
28. Spring, Steel Alloy

DIMENSIONS

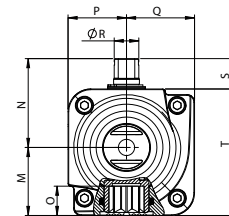
ISO	PSS015	PSS030	PSS045
	in / mm	in / mm	in / mm
F03/F05	F05/F07	F05/F07	F05/F07
A	9.19 / 233.3	10.20 / 259	11.98 / 304.3
A1	8.02 / 203.8	8.99 / 228.5	10.66 / 270.7
B	0.43 / 11.0	0.55 / 14.0	0.67 / 17.0
C x depth	M5 X 8	M6 X 9	M6 X 9
D x depth	M6 X 9	M8 X 12	M8 X 12
E	1.42 / 36.0	1.97 / 50.0	1.97 / 50.0
F	1.97 / 50.0	2.76 / 70.0	2.76 / 70.0
G	0.39 / 10.0	0.51 / 13.0	0.51 / 13.0
H	1.19 / 30.3	1.41 / 35.7	1.69 / 42.8
I	0.35 / 9.0	0.39 / 10.0	0.47 / 12.0
M	1.24 / 31.5	1.48 / 37.7	1.76 / 44.8
N	1.88 / 47.7	2.07 / 52.7	2.30 / 58.5
O	0.52 / 13.2	0.65 / 16.5	0.76 / 19.3
P	1.09 / 27.7	1.29 / 32.7	1.52 / 38.5
Q	1.24 / 31.5	1.48 / 37.7	1.76 / 44.8
R	0.43 / 10.9	0.57 / 14.5	0.64 / 16.2
S	0.79 / 20.0	0.79 / 20.0	0.79 / 20.0
T	2.33 / 59.2	2.77 / 70.4	3.28 / 83.3
Weight (lbs/kgs)	2.65 / 1.20	4.30 / 1.95	6.61 / 3.00



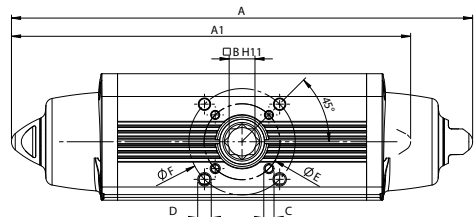
FRONT



SIDE



BOTTOM



PS Series Pneumatic Actuators

FOR BALL VALVES UP TO 6"
BUTTERFLY VALVES UP TO 4"

TECHNICAL INFORMATION, CONTINUED

ACTUATOR SPECIFICATIONS

	PSD015	PSD030	PSD045	PSS015	PSS030	PSS045
Torque Output (in. /lb.) @ 80psi*	133	266	398	133	266	469
Spring Stroke (Start/End)	NA	NA	NA	132 / 88	265 / 177	496 / 309
Enclosure Material	Three-layer Epoxy/Urethane Coating					
Output Shaft	303 Stainless Steel					
Air Port Connections	1/8" NPT					
Air Consumption (cu. in.)	5.5	10.4	14.6	5.5	9.8	17.7
Air Transfer	Internal					
Stroke Time (seconds)	0.5					
Cycle Time	1/2 second					
Minimum Air Pressure	80psi*					
Maximum Air Pressure	120psi					
Operation	Scotch Yoke					
Weight (lb / kg)	1.65 / 0.75	2.20 / 1.00	2.65 / 1.20	2.65 / 1.20	4.30 / 1.95	6.61 / 3.00

*Consult Factory for applications with less than 80 PSIG air supply.

VALVE SELECTION CHART

SERIES / VALVE TYPE	SIZE	PSD015	PSD030	PSD045	PSS015	PSS030	PSS045
TBH, CVH, TBH-Z Series Ball Valves	1/2"	•			•		
	3/4"	•			•		
	1"	•			•		
	1-1/4"	•	•		•	•	
	1-1/2"	•	•		•	•	
	2"		•			•	
	3"			•			•
	4"			•			•
TW, LA Series Three Way Ball Valves	1/2"	•			•		
	3/4"	•			•		
	1"	•			•		
	1-1/4"	•	•		•	•	
	1-1/2"	•	•		•	•	
	2"		•			•	
	3"			•			•
	4"			•			•
BYV Series Butterfly Valves	2"		•			•	
	3"			•			•



Hayward is a registered trademark
of Hayward Industries, Inc.
© 2022 Hayward Industries, Inc.

NPP1022A

USA: 1.888.429.4635 • Fax: 1.888.778.8410 • One Hayward Industrial Drive • Clemmons, NC 27012 • Email: hfcsales@hayward.com
Canada: 1.888.238.7665 • Fax: 1.905.829.3636 • 2880 Plymouth Drive • Oakville, ON L6H 5R4 • Email: hflowcanada@hayward.com
Visit us at: haywardflowcontrol.com