



HEX800 SERIES INSERTION ELECTROMAGNETIC FLOW SENSOR

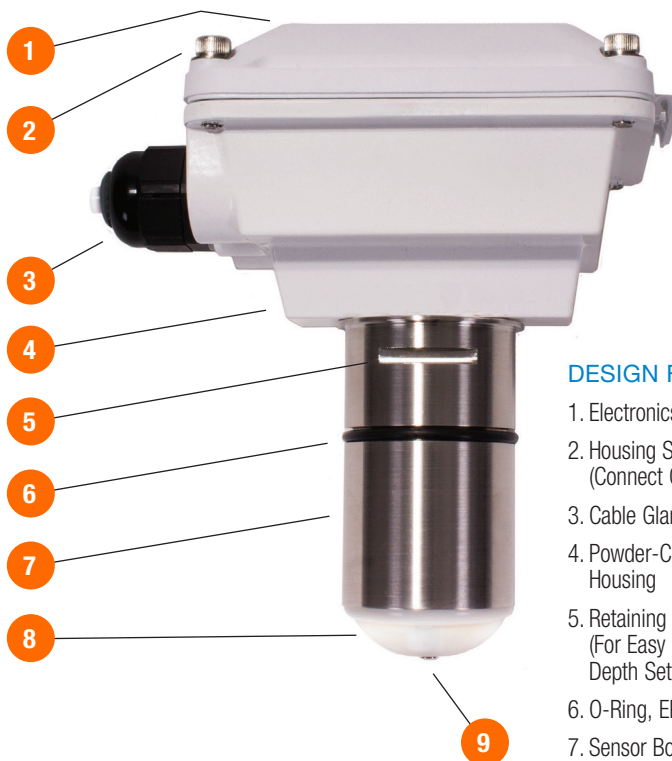
The Hayward Flow Control HEX800 Series insertion electromagnetic flowmeters are highly accurate, cost-effective solutions for liquid measurement. Designed for use with fluids with conductivities greater than 20 microsiemens/cm, the HEX800 measures flow rates from 0.28 to 20 feet per second (<1 gpm in a 1" line to 7000 gpm in a 20" line) in full pipelines. No moving parts allow usage in a wide range of liquid applications that would foul flow meters that employ rotating paddles or other moving components. Wetted body materials of PVC, stainless steel and brass are available.

The HEX800 Series Flowmeter provides a built-in indicating transmitter that displays flow rate, flow total and offers analog output (4-20mA) for remote monitoring and control. Measured accuracies are +/- 1% of full scale when properly positioned in the piping system. Optional Batching Controller available.

Applications include slurries, filter flow and backwash, Sodium Hypochlorite, Ferric Chloride, Alum (aluminum sulphate) and a wide range of chemicals and liquid solutions.

The Hayward Flow Control HEX800 Series Insertion Magnetic Flow meter makes liquid flow measurement easy and accurate!

DETAILED VIEW



DESIGN FEATURES

1. Electronics Module or Cover
2. Housing Screw
(Connect Ground Wire to One)
3. Cable Gland Strain Relief
4. Powder-Coated Cast Aluminum Housing
5. Retaining Slot (for U-Clip)
(For Easy Installation at Correct Depth Setting)
6. O-Ring, EPDM (FPM Optional)
7. Sensor Body (Stainless, Brass, PVC)
8. PVDF Electrode Cap
9. Hastelloy® C Electrodes

KEY FEATURES AND BENEFITS

- No Moving Parts
- Economical
- Durable
- Easy to Install
- Easy to Maintain

APPLICATIONS

- Conductive Fluids
- Small Pipe Applications (1"-12")
- Industrial Processes
- Chemical Metering Pumps
- Aquatics

HEX800-Series Insertion Electromagnetic Flow Sensor

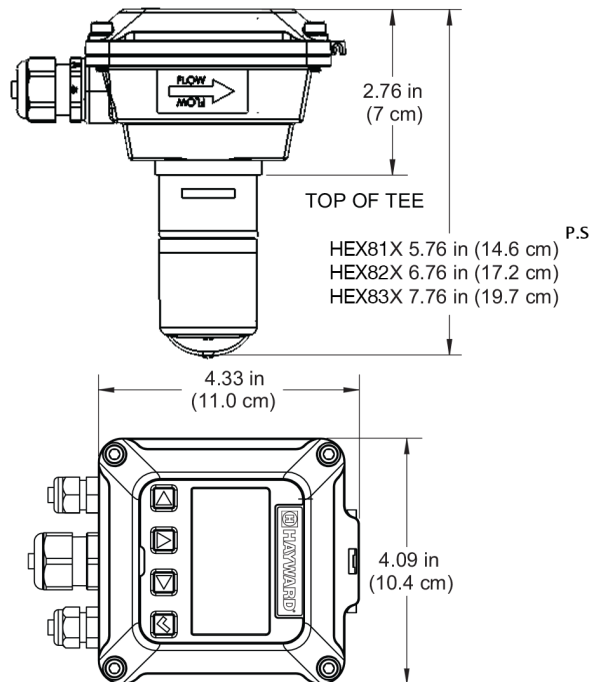
TECHNICAL INFORMATION

SPECIFICATIONS*

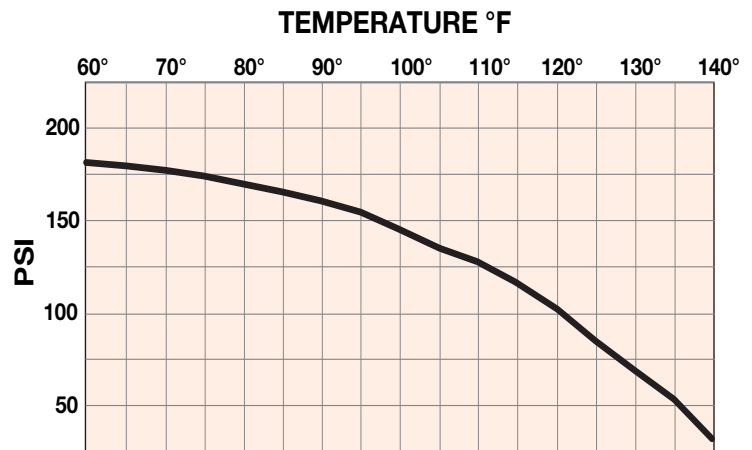
Pipe Size	1" to 12"	
Power*	Full Power: 12 - 24 Vdc, 250mA	Low Power: 12 - 24 Vdc, 40mA Average with 250mA peaks
Materials	Housing: Powder-Coated Cast Aluminum Sensor Body: 316 Stainless Steel, Brass, or PVC O-Ring: EPDM (FPM Optional) Electrodes: Hastelloy® C Electrode Cap: PVDF (Kynar®)	
Maximum Pressure	Brass/Stainless Steel	PVC (See Pressure vs. Temp Chart)
	200 psi (14 bar)	150 psi (10 bar) @ 75° F (24° C)
Temperature	Ambient	0° to 160 F (-17° to 72° C)
	Fluid	32° to 200 F (0° to 93° C)
Minimum Conductivity		0° to 160 F (-17° to 72° C)
		32° to 130 F (0° to 55° C) @ 0 psi
Flow Velocity	20 microSiemens/cm	
Flow Velocity	0.28 to 20 ft/sec (0.08 - 6.09 m/sec)	
Accuracy	± 1% of full scale	
Output	Square wave pulse, opto-isolated, 500 Hz @ 20 ft/sec	
Empty Pipe Detection	Software, defaults to zero flow	
Cable	Standard 18' (6m), #22 shielded twisted pair, 4-conn. Max. cable run at 24 Vdc = 1000' (300m); at 12 Vdc = 500' (150m).	
Regulatory	CE Mark	

Kynar is a registered trademark of Arkema, Inc.

DIMENSIONS



PRESSURE VS. TEMPERATURE (PVC)



* Note: The HEX800-Series meter can be ordered in a full power model when a source of electricity is available, or in a low power model that can run on an external battery with solar panel.

If the HEX800-Series meter is used with a programmable controller, the output signal can be fed direct, with no other conditioning required.



Hayward is a registered trademark of Hayward Holdings, Inc. © 2021 Hayward Holdings, Inc.

USA: 1.888.429.4635 • Fax: 1.888.778.8410 • One Hayward Industrial Drive • Clemmons, NC 27012 • Email: hfcsales@hayward.com
 Canada: 1.888.238.7665 • Fax: 1.905.829.3636 • 2880 Plymouth Drive • Oakville, ON L6H 5R4 • Email: hflowcanada@hayward.com
 Visit us at: haywardflowcontrol.com